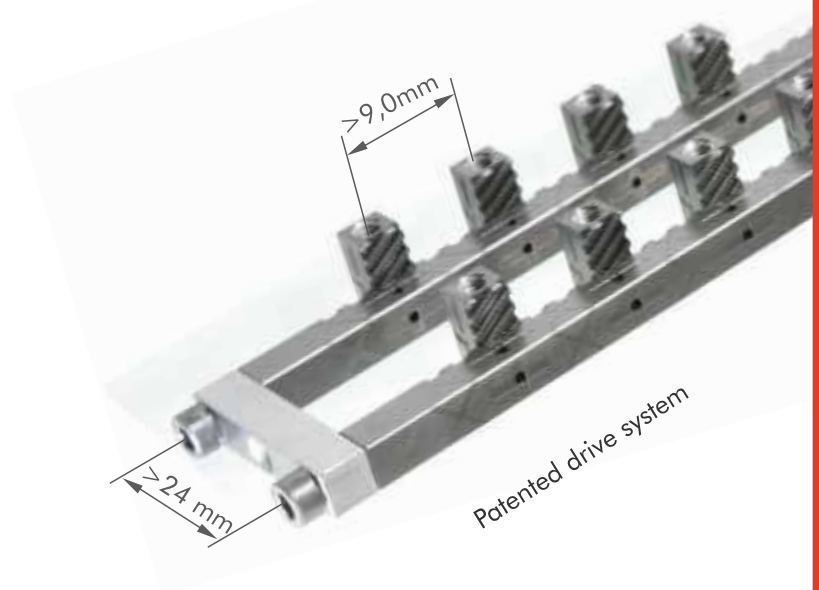
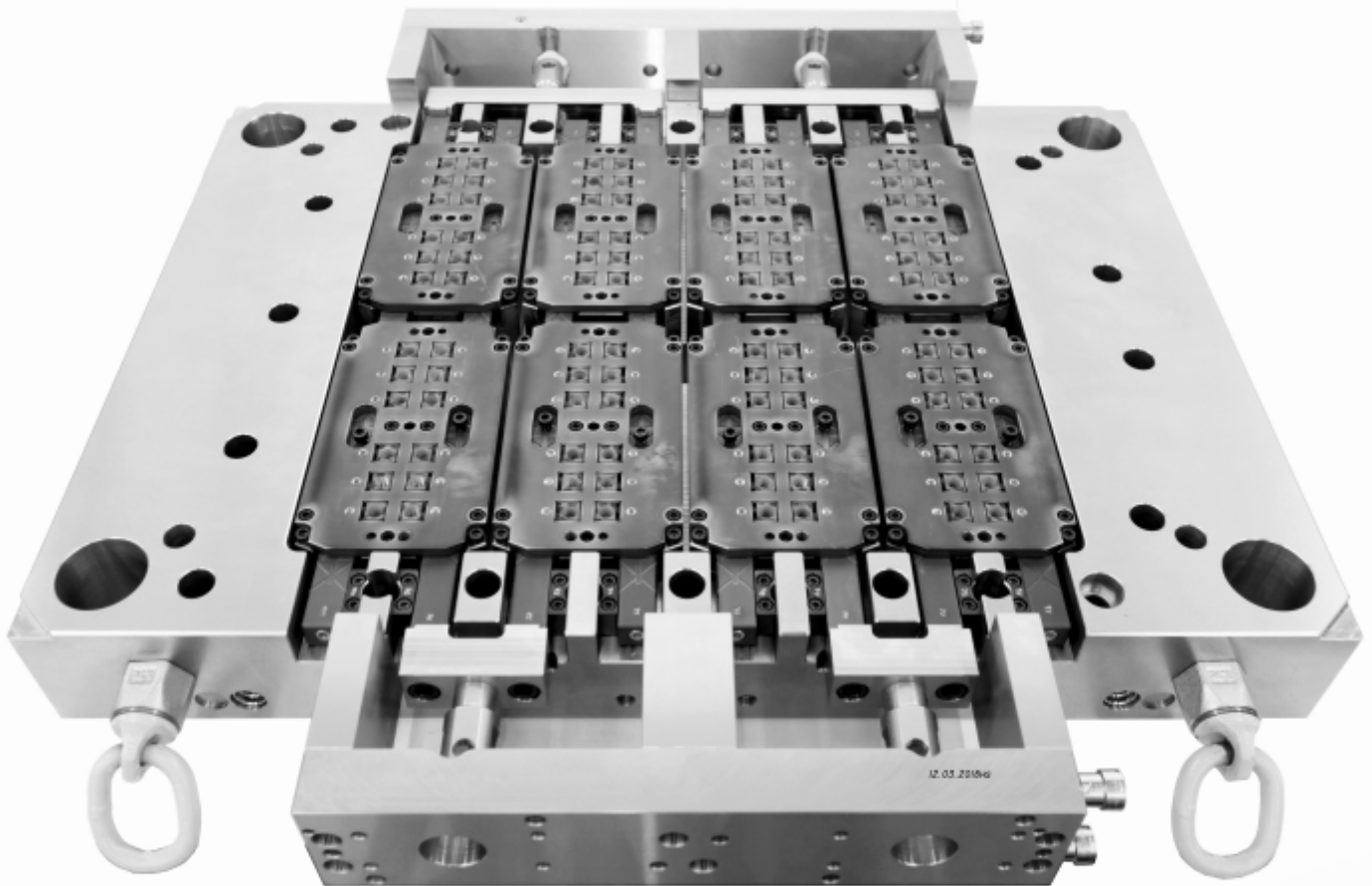


SYNCHRO-VALVE®



EFFIZIENZ +

HEITEC
HEISSKANALTECHNIK

SYNCHRO-VALVE®

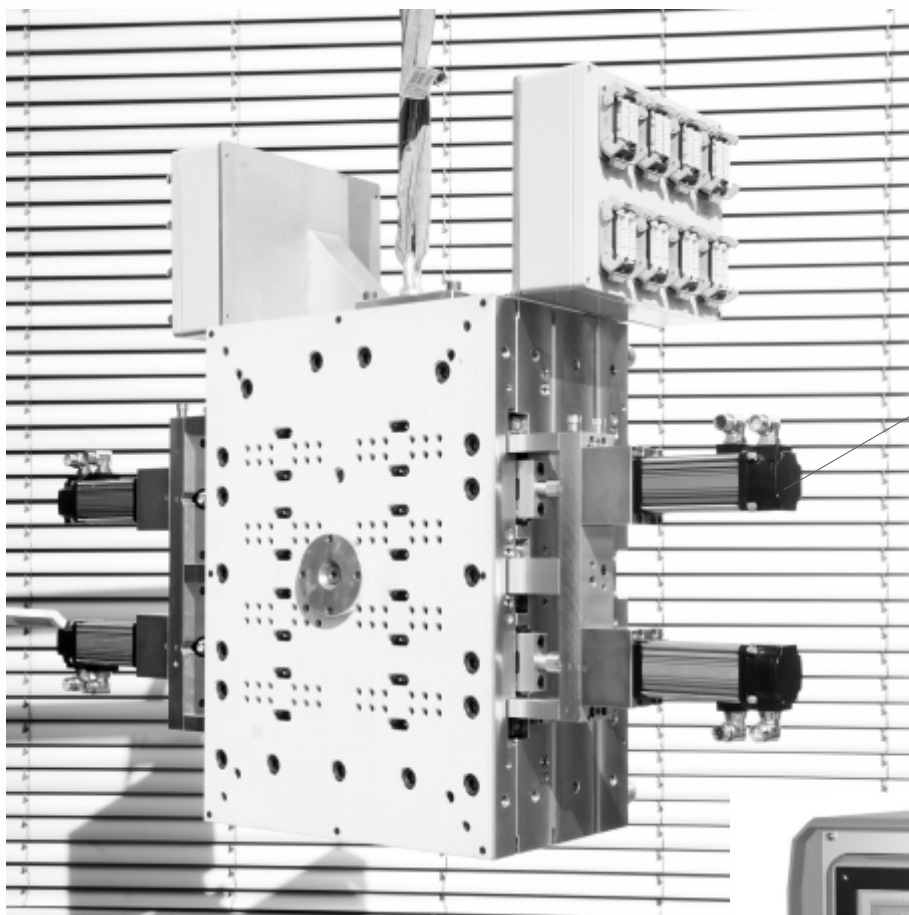
Type 64.980.

TECHNICAL SPECIFICATIONS

- 100% synchronized moving needle
- Due to its design minimal weakening of the mold
- Excellent serviceability
- Unrestricted cleanroom capable

CUSTOMER BENEFITS

- Usage of pneumatic, hydraulic and electrical actuators possible
- 100% controlled process with the use of electrical actuator Visio Linear Drive (VLD) in combination with control unit Visio Drive Control (VDC2)
- For more information about our drive controllers and force transmitter please see VISIO Drive Systems 63.202/64.102



Force Transmitter
Visio Linear Drive (VLD)

Controller
Visio Drive Control (VDC2)

