

# NV-X-SLIM-LINE



✓ EFFIZIENZ +

**HEITEC**  
HEISSKANALTECHNIK

# NV-X-SLIM-LINE

## Type 61.059.

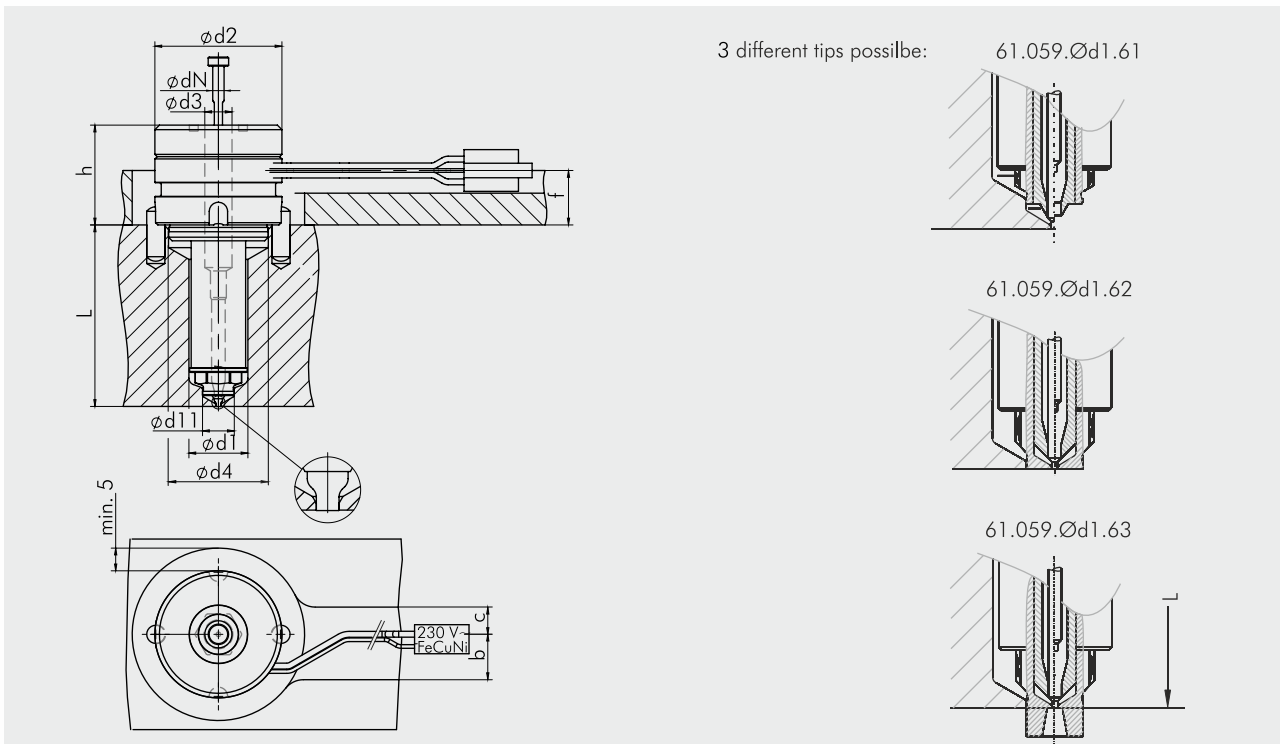


### TECHNICAL SPECIFICATIONS

- Flow channel diameter  
4,5 / 6 / 8mm
- Sealing ring diameter  
6 / 7 / 12mm
- Shafting diameter  
11 / 13 / 20mm
- Shaft lengths starting at 80mm
- Screw-type heat conductive tip

### CUSTOMER BENEFITS

- Less space required for large flow channel
- Minimises loss of pressure
- Near-gate cooling supported
- Cost-efficient shorter cycle times
- Low energy consumption
- Suitable for plastics with high thermal and technical quality
- Suitable for Flex-In
- Robust heating output thanks to plug-less design
- Flexible cable layout after exit from body



Type	d2	d1	d3	d4	d11	L	h	f	b	c	dN	Spitze
61.059.11	28	11	4,5	22	6	80-350	22	12	10	6	2,5	21-23
61.059.13	32	13	6	22	7	80-350	22	12	10	6	2,5	21-23
61.059.20	32	20	8	26	12	80-350	22	12	20	6	4	21-23