

NV X-PURE[®] -LINE

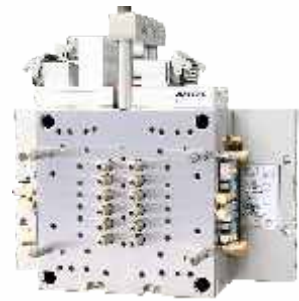


✓ EFFIZIENZ +

HEITEC
HEISSKANALTECHNIK

NV X-PURE® -LINE

Type 61.058.

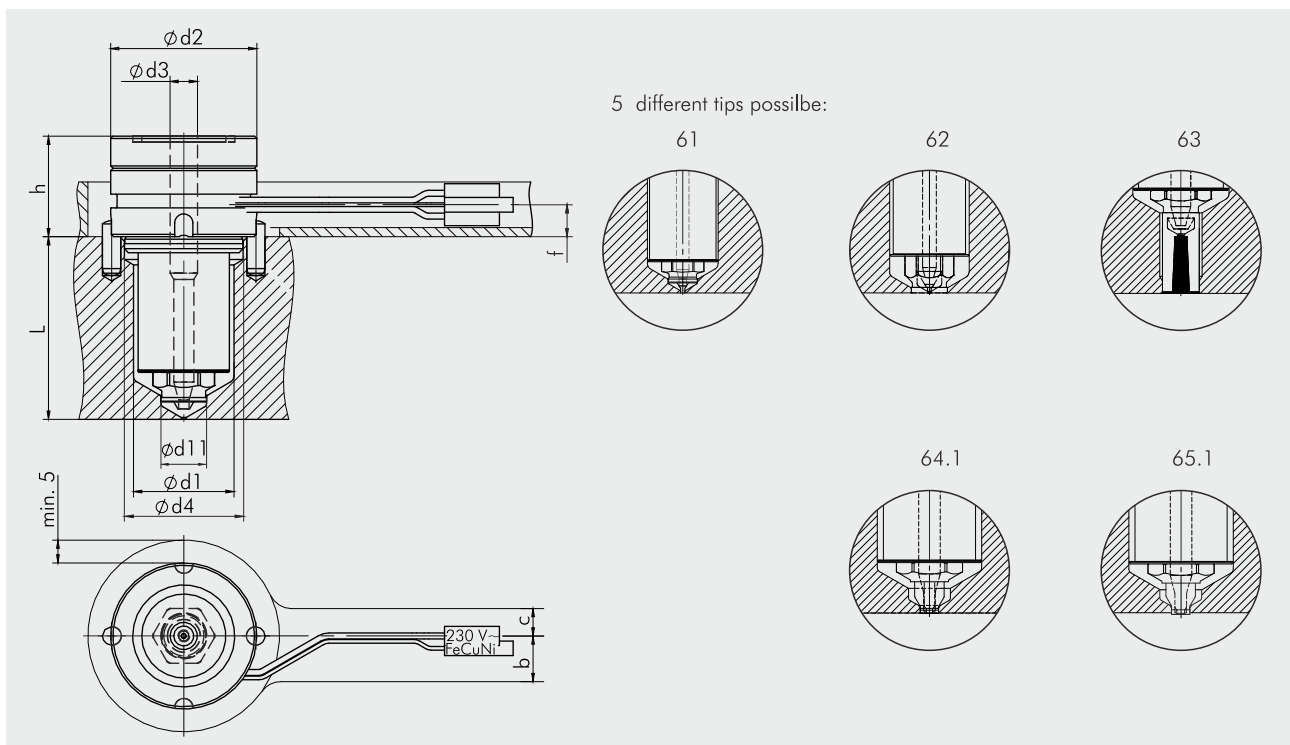


TECHNICAL SPECIFICATIONS

- Flow channel diameter von 4 / 6 / 9 / 13mm
- Sealing ring diameter 17 / 22 / 34 / 42mm
- Shaft lengths starting at 40 mm
- Modular design
- Screw-type heat conductive tip
- Tip extension available

CUSTOMER BENEFITS

- Suitable for almost all types of plastic
- Different tip geometries to suit your application
- Modular design for great ease of use
- Low energy consumption
- Quick colour changes
- Highest demands on vestige quality
- Suitable for Flex-In
- Robust heating output thanks to plug-less design
- Flexible cable layout after exit from body



Type	DN	d2	d1	d3	d4	d11	L	h	f	b	c	Spitze
61.058.17	2,5	28	17	4	22	7	40-110	22	7	10	6	61-65.1
61.058.22	3	32	22	6	26	10	40-110	22	7	10	6	61-65.1
61.058.34	4	46	34	9	38	13	40-110	27	6,6	20	6	61-65.1
61.058.42	6	54	42	13	42	20	40-110	30	12,5	20	6	61-65.1