

# PRIMO-LINE



✓ EFFIZIENZ +

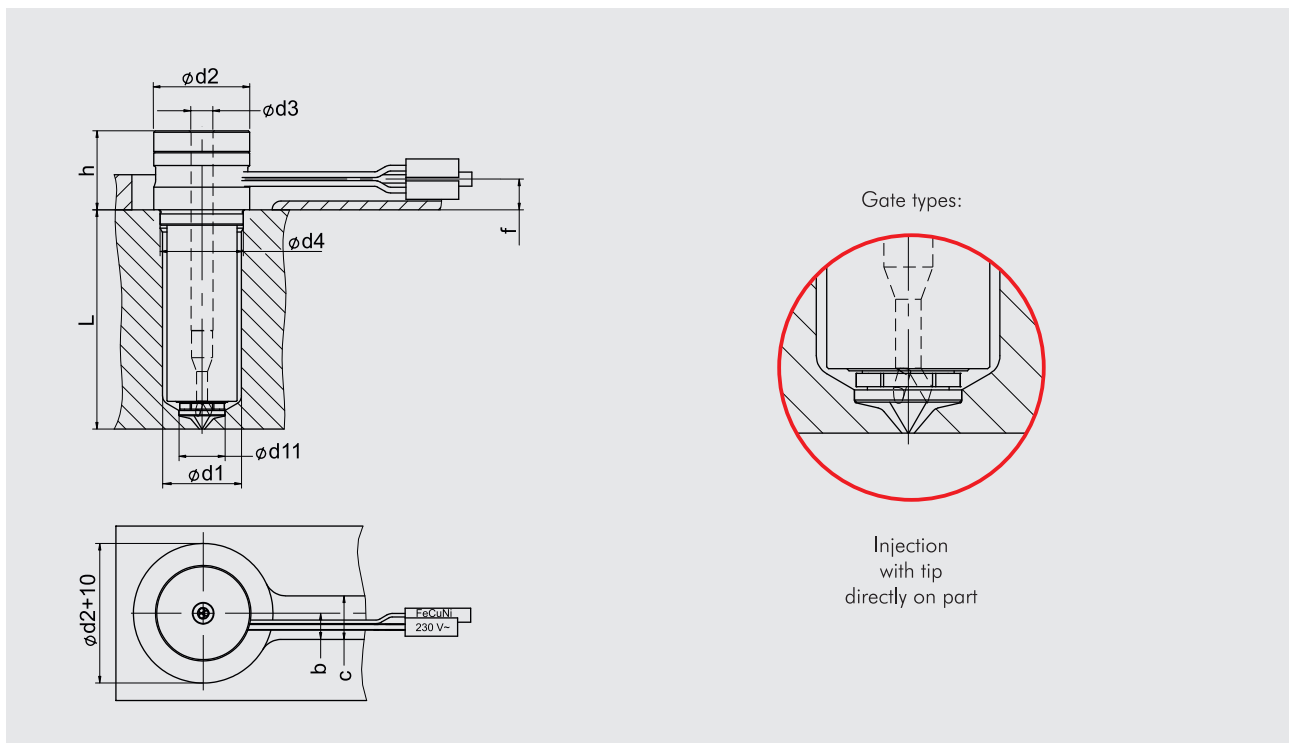
**HEITEC**  
HEISSKANALTECHNIK

# PRIMO-LINE

## Type 01.001.

### PRODUCT FEATURES

- Installation diameter: 18mm
- Nozzle lengths:  
50 / 60 / 80 / 100 / 120mm
- Melt channel diameter:  
Ø 3 / 5 / 6mm
- Exchangeable by the customer:  
Tip, Heater and Thermocouple
- 230V external heating
- Cost efficient
- Technically excellent
- Fast available
- Optimal thermal separation between  
nozzle and mould
- Optimale Temperaturführung
- Easy handling
- Easy to install
- Suitable for all types of plastic



Type	d1	d2	d3	d4	d11	L	h	f	b	c	tip
01.001.	18	21,9	3/5/6	19	10,5	50/60/80/100/120	18	7,7	6	10	

